

XLGWM04
| 4-inch Fixed Dome
Indoor Wall Mount

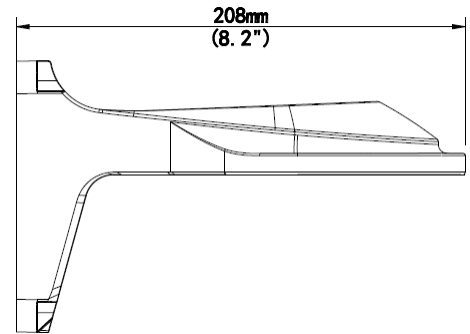
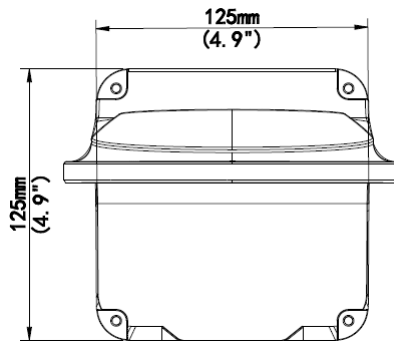


Unify your
Security
Solution

On Aug 1, 2018, the US government passed a resolution, effective Aug 1, 2019, to prevent the federal government, and anyone else who is involved with national security, from making purchases of telecommunications and surveillance cameras originally manufactured in 5 specific factories in China. That is why we took the initiative to manufacture our cameras in a new facility outside of China while making sure we'd have the same quality level.

Manufactured for your needs

Bracket	
Application	Indoor, wall installation
Dimensions	208 x 125 x 125 mm (8.2" x 4.9" x 4.9")
Weight	0.48kg (1.1lb)
Material	Aluminum alloy



Junction Box for:

INLGDO5IRWA